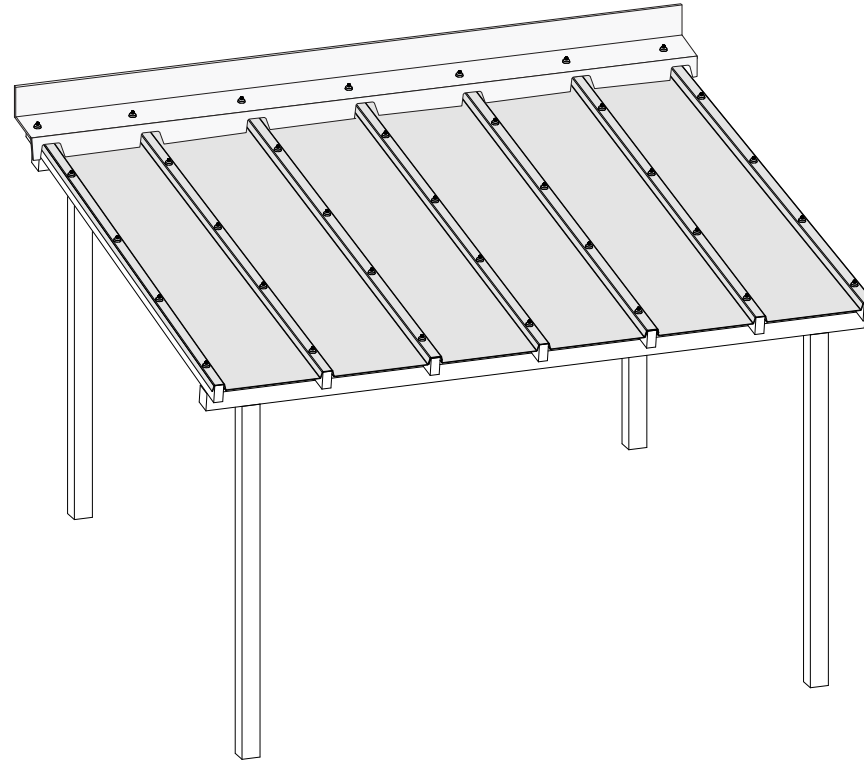




# EZ Glaze™ | Installation Guide



Easy to install



Rafter installation



Glass appearance



Clear & elegant



UV resistance



Premium solution



EZ Glaze™ - Product page



Installation video

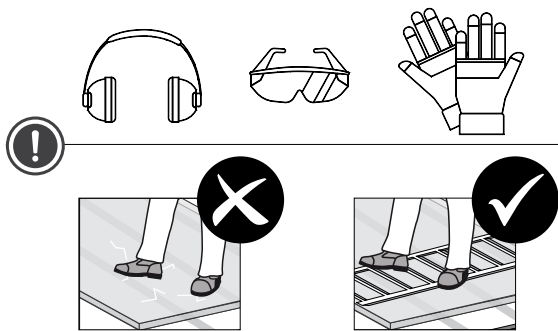


PALRAM website



# Before Installation

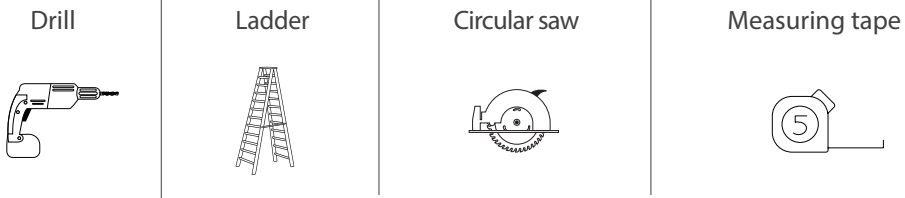
## Recommended safety equipment



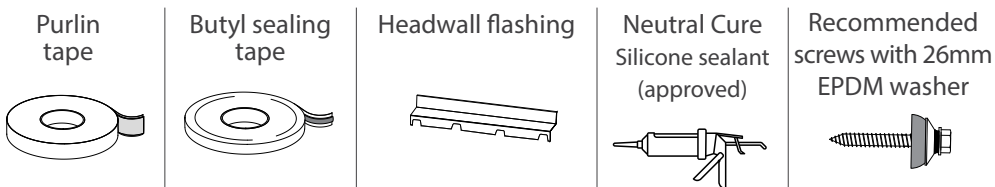
Do not step directly on the sheets between the rafters!

When installing EZ Glaze or doing maintenance work, always use ladders or crawl boards, supported by minimum three roof structural elements.

## Required tools



## Accessories

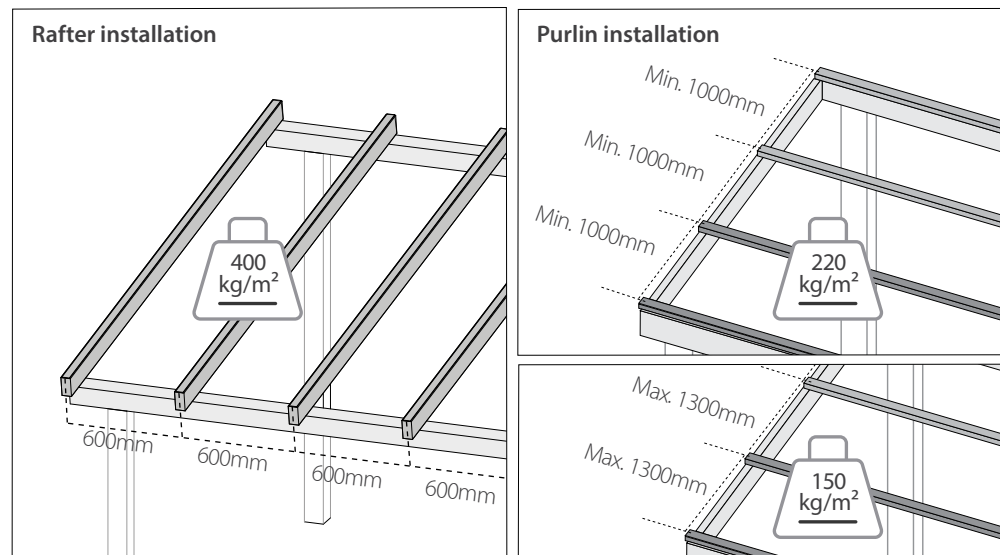


## Product information

Thickness	3mm
Cover width	600mm
Total width	673mm
Maximum length	7,000mm
Minimum required ptch	3 degrees

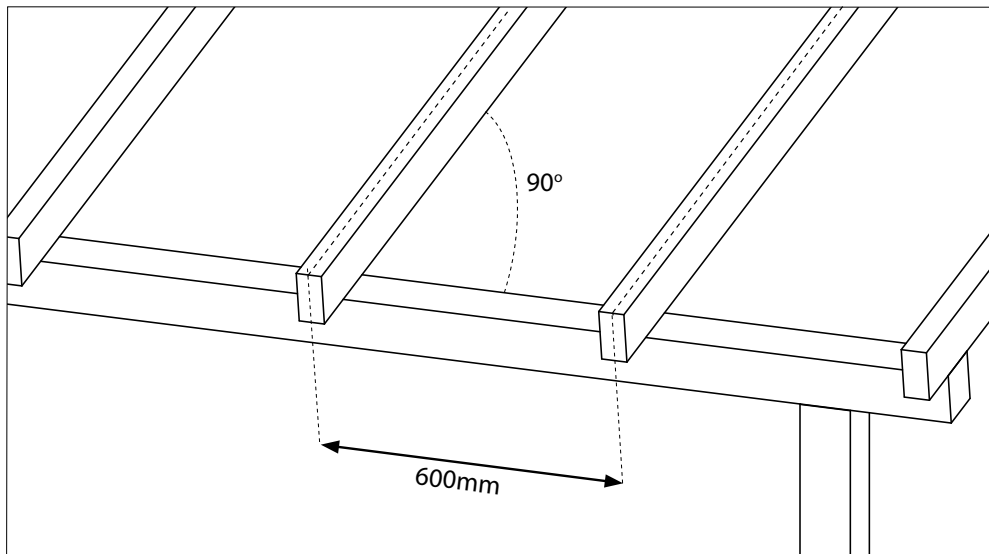
Profile range	Profile	Rafter width	Profile dimension
	EZ Glaze 50	40-50mm	

## Installation method

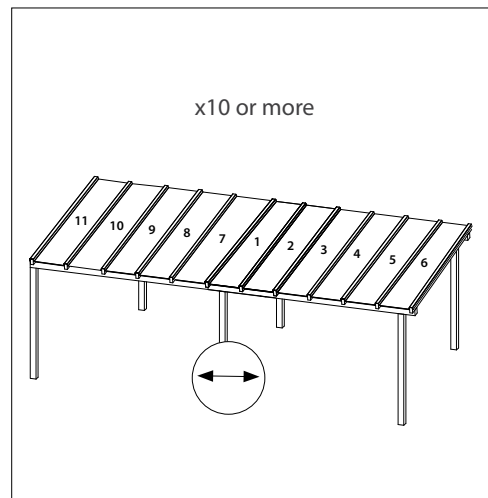
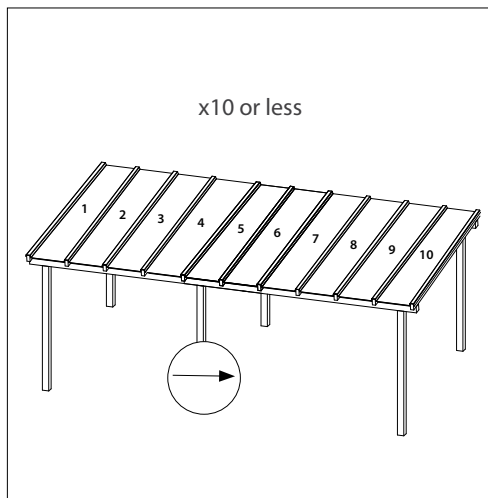


# Before Installation

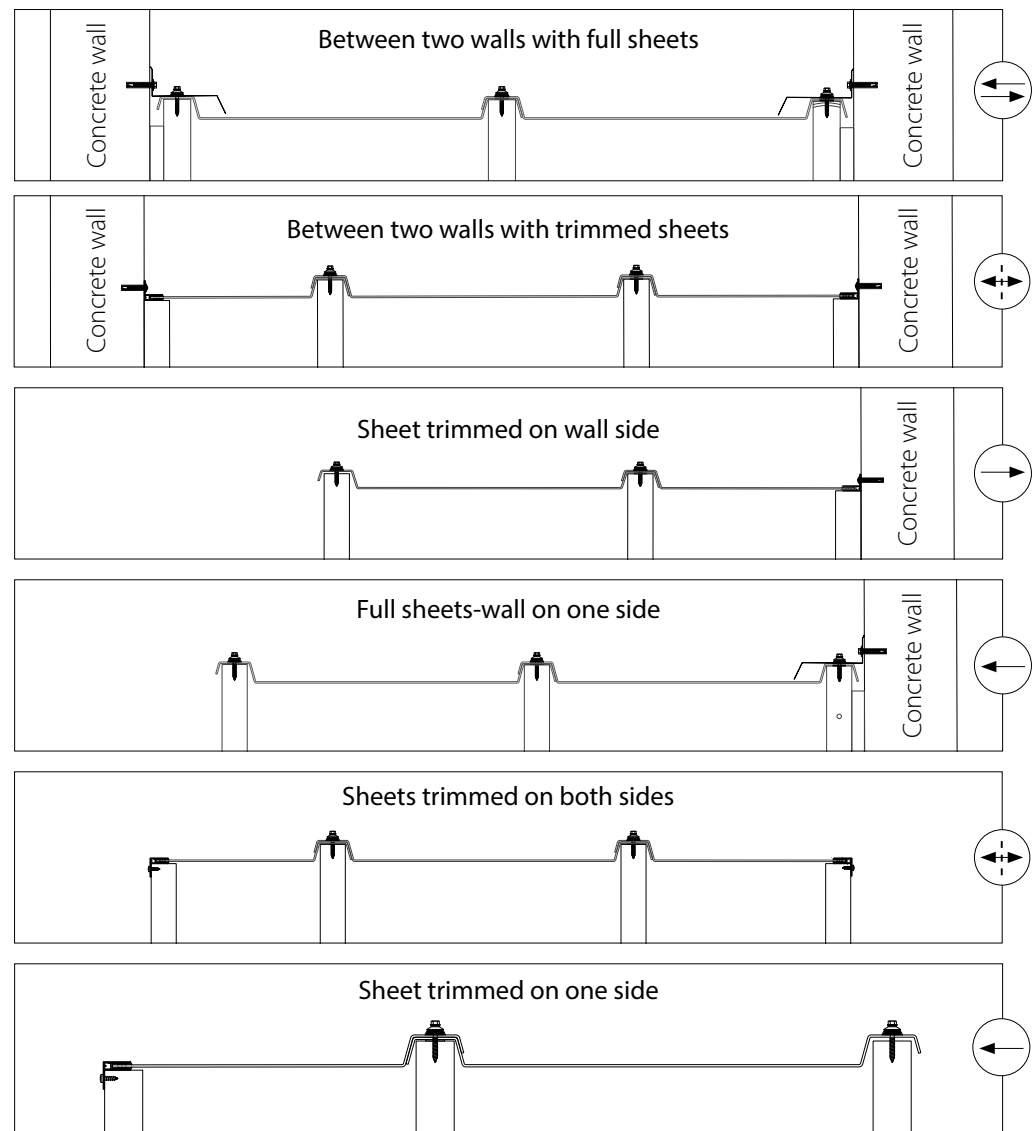
## Rafter spacing



## Installation direction recommendation

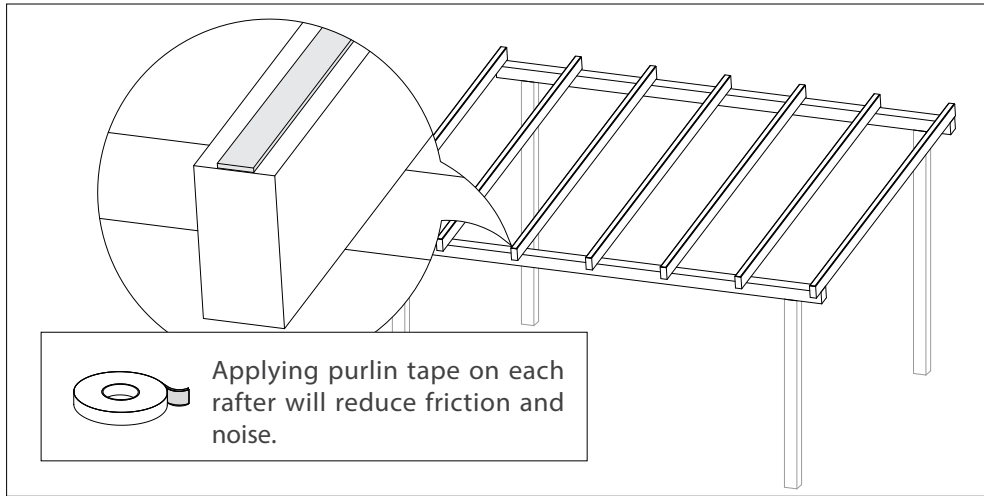


## Installation variation and directions

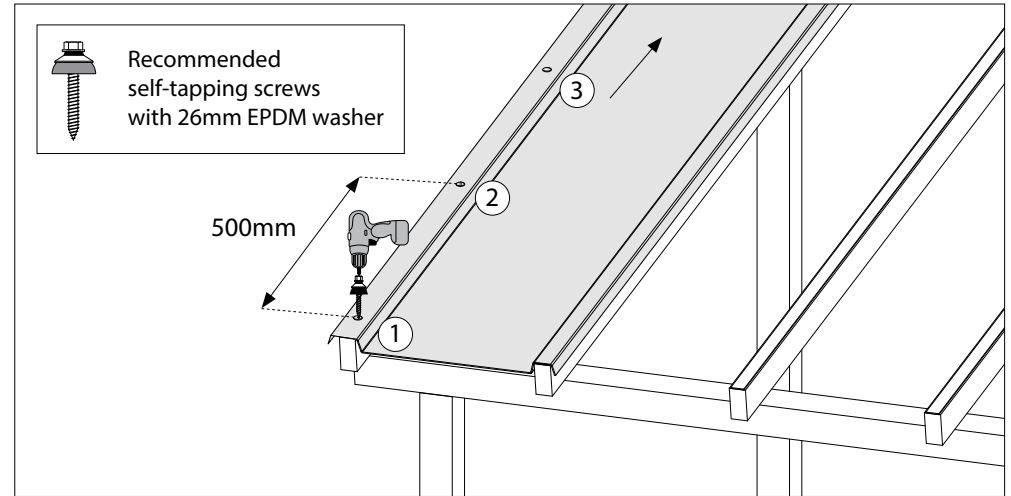


# Installation

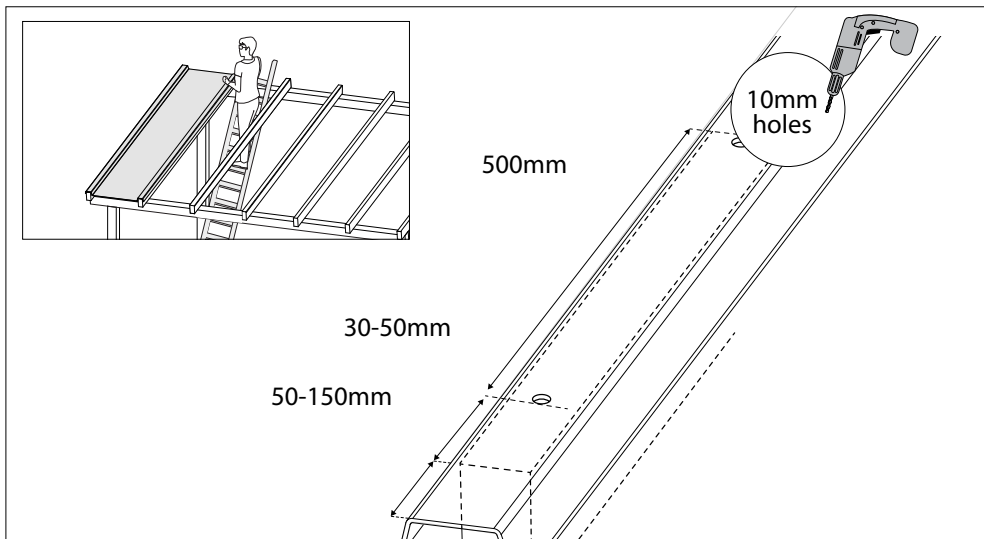
## 1 Purlin tape application



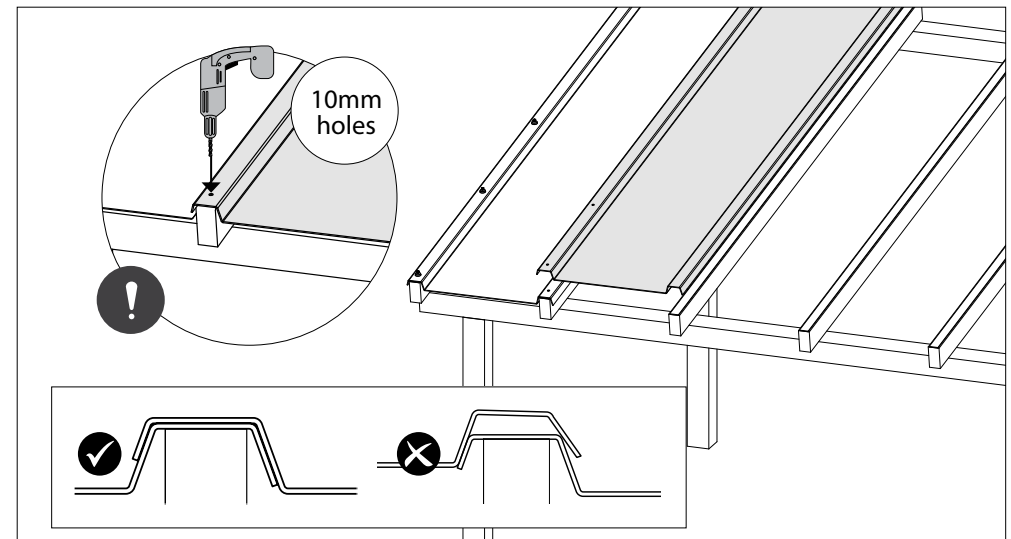
## 3 Fixing the first EZ Glaze panel



## 2 Setting the first EZ Glaze panel

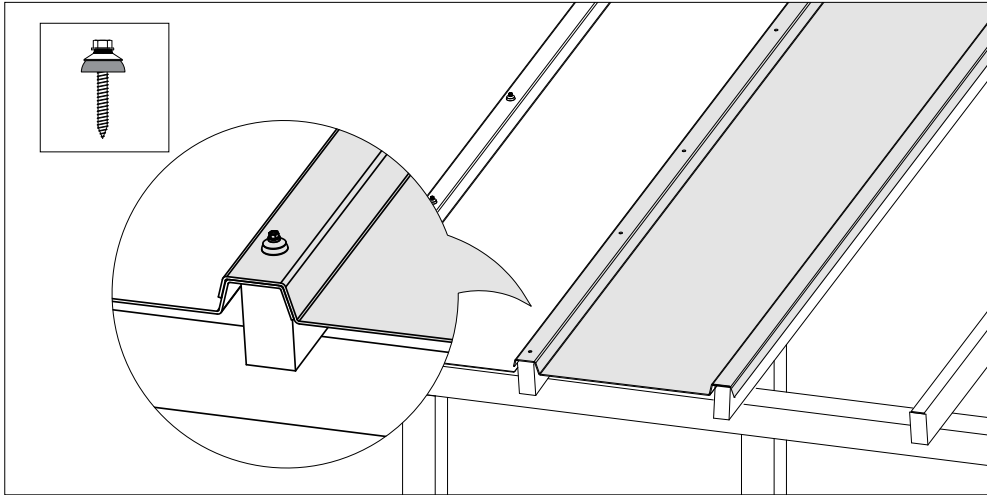


## 4 Setting the second EZ Glaze panel

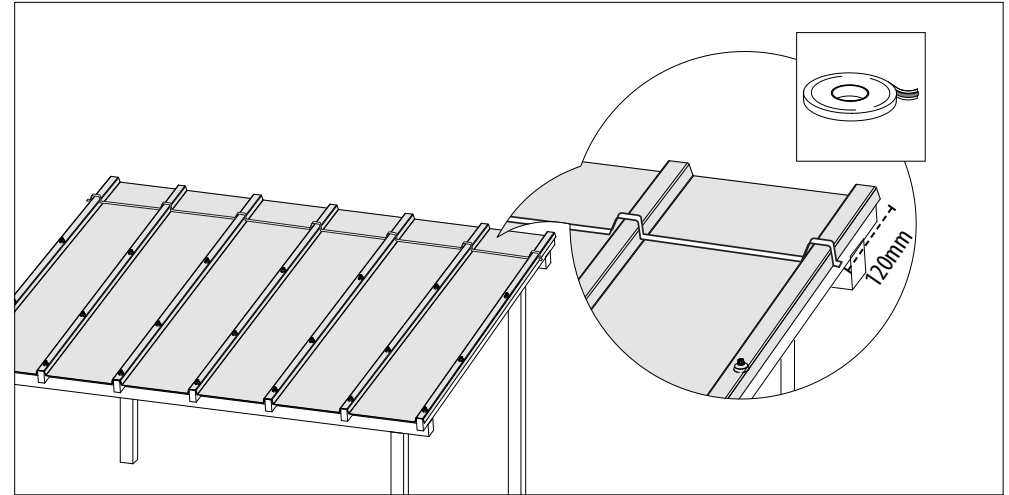


# Installation

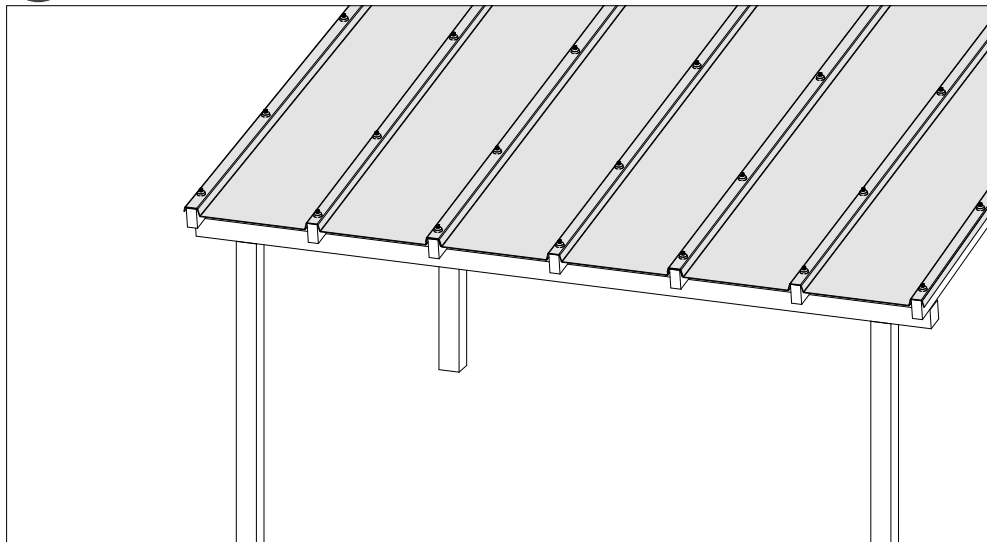
## 5 Fixing the second EZ Glaze panel



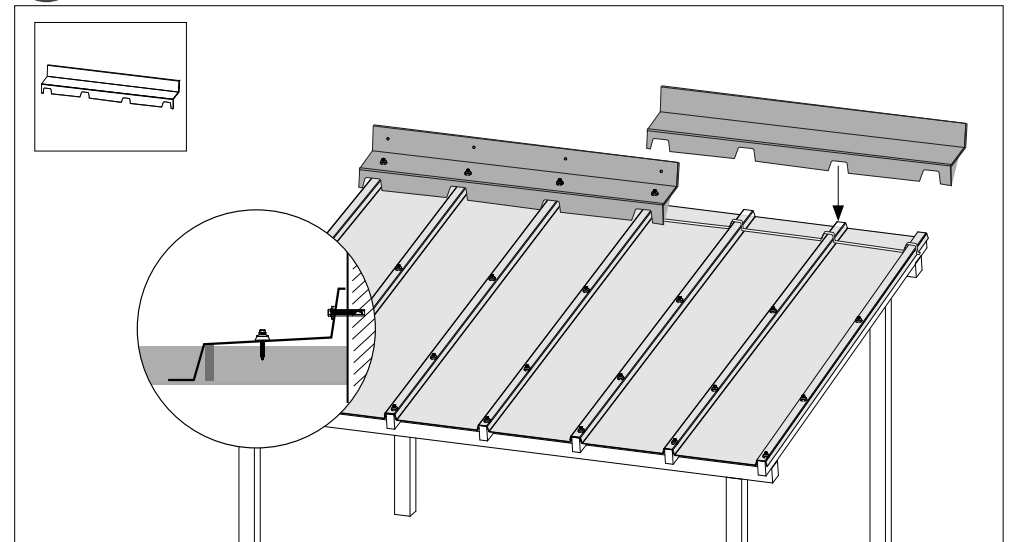
## 7 Applying butyl tape



## 6 Repeat stages 4-5 until the pergola is fully covered

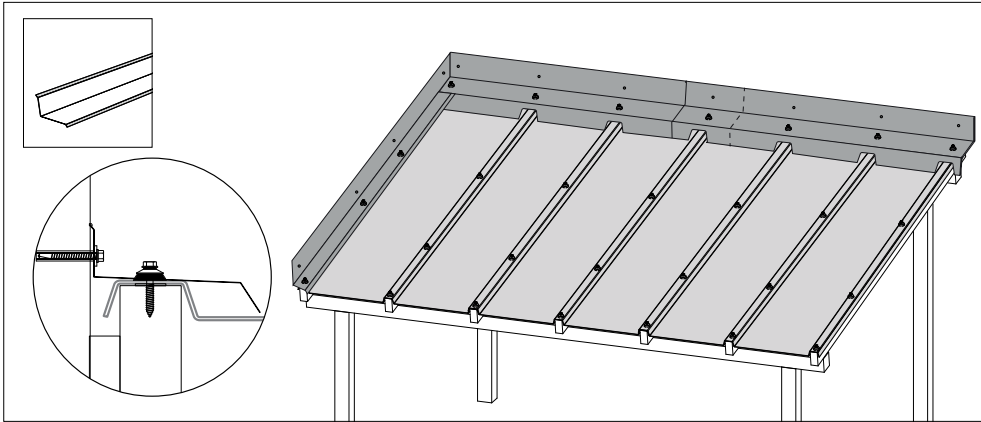


## 8 Installing head wall flashing (purchased separately)

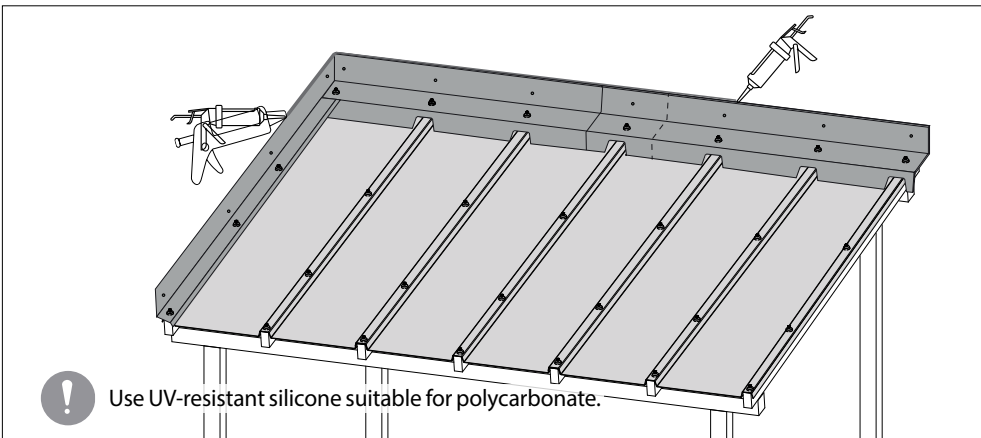


## Installation - Finishing Accessories

### 9 Installing side wall flashing (purchased separately)



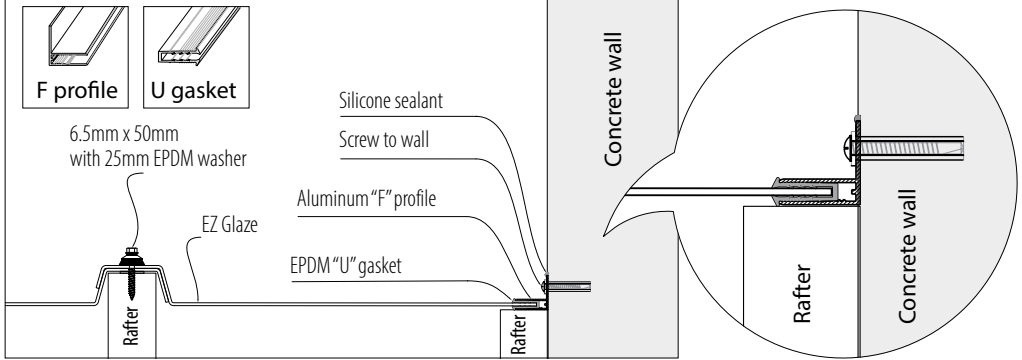
### 10 Applying silicone (purchased separately)



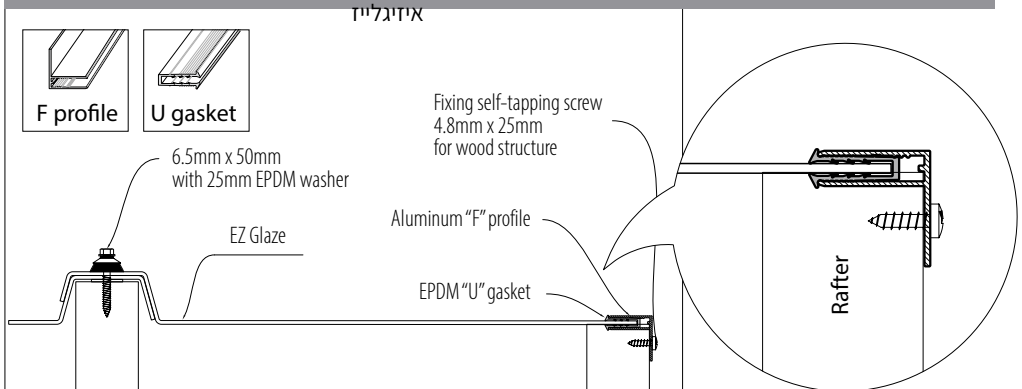
## Installation - Finishing

### ! Side wall finish when the panel is trimmed (purchased separately)

#### Installation to side wall



#### Installation with no side wall



#### PALRAM SA/NT

517A Cross keys Road  
Cavan SA 5094  
Tel: (08) 8262 2288  
Fax: (08) 8262 3388  
salessa@palram.com

#### PALRAM NSW/ACT

Unit 2, 26 Redfern St,  
Wetherill Park, NSW 2764  
Tel: (02) 8788 6100  
Fax: (02) 8788 6199  
salesnsw@palram.com

#### PALRAM QLD

Unit 9C / 380 Bilsen Road  
Geebung QLD 4034  
Tel: (07) 3172 5581  
Fax: (07) 3172 5516  
salesqld@palram.com

#### PALRAM VIC/TAS

34 Buys Court  
Derrimut VIC 3030  
Tel: (03) 9219 4444  
Fax: (03) 9219 4455  
salesvic@palram.com

#### PALRAM WA

74 Christable Way  
Landsdale WA 6065  
Tel: (08) 9302 4173  
Fax: (08) 9302 5287  
saleswa@palram.com



Warranties only apply to installations and maintenance that follow Palram installation instructions and specifications.